

ND04 Instructions



CONTENT

1.About the user manual.....	2	4.2 Max speed Limited.....	5
2.Outlook and size.....	3	4.3 Setting Wheel diameter setting....	5
2.1 Material and color.....	3	4.4 KM/H&MPH.....	5
2.2 Button definition.....	3	5.Wire order definition.....	6
3.Function summary.....	4	6.Common problems and solutions....	7
4.Setup summary.....	5	7.Quality & Warranty.....	8
4.1 Reset trip distance to 0.....	5	8.Error code table.....	9

1.About the user manual

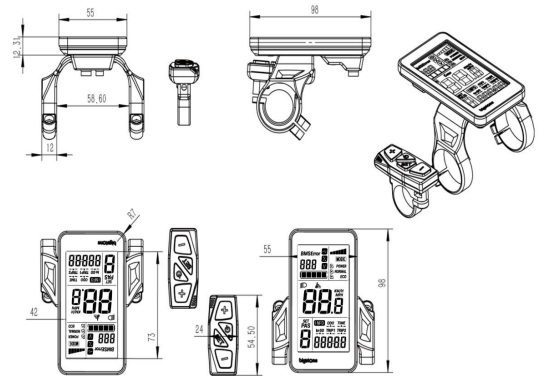
Dear users, in order to operate your electric car better, please read the ND04 instrument manual carefully before use. We will tell you every step of the instrument in the most concise language, from hardware installation and setup to normal use of the instrument. At the same time help you solve the confusion and obstacles that may arise.

2.Outlook and size

2.1 Material and color

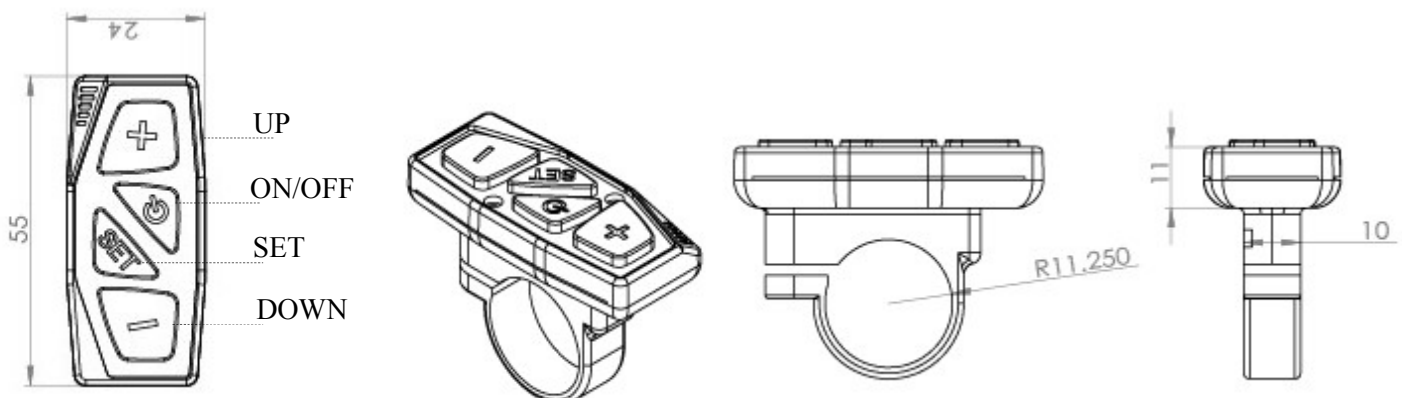
N D 0 4 products are made of black ABS material and the bracket is made of nylon material. Under the temperature of -20 to 60 , the shell material can ensure normal usage and good mechanical performance of the products.

Dimension figure (unit: mm).



2.2 Button definition

N D 0 4 has four buttons, including ON/OFF、SET、UP and DOWN.



3. Function summary

N D 0 4 provides a wide range of functions and indicators to fit the users needs. The indicated contents are as below.

3.1 BMS Error:

1. BMS display current battery status.
2. Error Display the current error code.
3. Cycle times display : This feature is not available by default.
4. Electricity percentage display : This feature is not available by default..
5. Voltage display : Display the current battery voltage of how many Volts.

3.2 Current display:

The discharging current of the controller --- -- currently, each segment is 2A.

3.3 Riding mode selection:

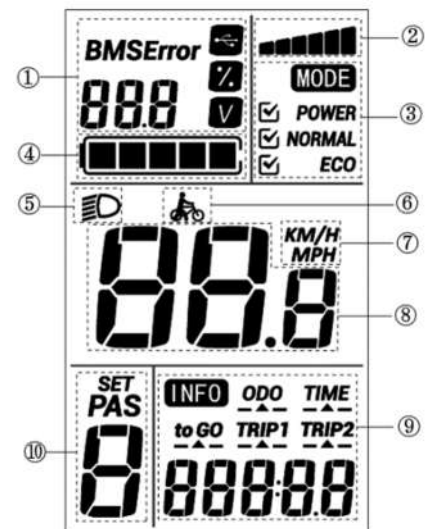
Show current riding mode.

3.4 Electric quantity display :

Display current electric quantity.

3.5 Backlight indicator :

With the power on, click the ON/OFF to turn on the backlight and headlight.



3.6 6KM :

Hold the DOWN for 2 seconds to get in 6km work.

3.7 KM/H & MPH:

Select KM/H or MPH as the current display unit.

3.8 Speed display:

Display the speed at present.

3.9 Riding information display:

- 1 INFO: Default light.
- 2 INFO TOGO: This feature is not available by default.
- 3 ODO: The ODO records the driving mileage from using, the accumulated value cannot be cleared.
- 4 TIME: Display the time when the speed of a single ride is higher than 5KM/H.
- 5 TRIP: A single mileage display shows the user's single riding mileage, which can be cleared in the setup interface and 500KM automatically cleared.

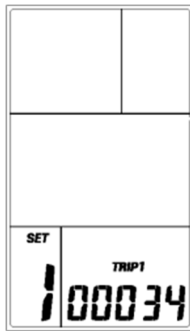
3.10 SET & PAS:

- 1 SET : The user enters the setup interface; the SET icon will be in 1Hz flicker.
- 2 PAS : Display the current output power

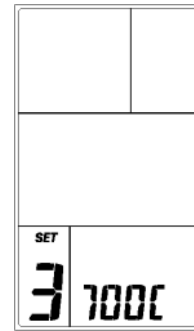
4.Setup summary

Click SET 2seconds enter the general setting interface.

4.1 Reset trip distance to 0.



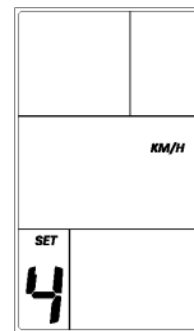
4.3 Setting Wheel diameter setting.



4.2 Max speed Limited.



4.4 KM/H&MPH.



press UP or DOWN to select the

wanted parameter, and click SET for 1 second to exit.

When the riding speed is 0 km/h for 5 minutes, the system will go to sleep automatically.

5. Wire order definition

Wires sequence	Wires color	Function
1	Red	Battery+
2	Blue	Weak lock
3	Black	Battery-
4	Green	UART - RECEIVE (RXD)
5	Yellow	UART - SEND (TXD)

6.Common problems and solutions

Q: Why the display is not able to start up?

A: Checking the connector that between display and controller.

Q: How to deal with the error code?

A: Fix it to the maintenance place immediately. If cannot be resolved, you can go to the electric vehicle repair points repair it in a timely manner.

7. Quality & Warranty

Any quality problems in normal case and in guarantee period, our company will be responsible for the warranty.

The warranty time is 18 months from the date of purchasing. Other items:

The following items are not included in the warranty scope:

1. It cannot be demolished.
2. The damage caused by wrong installation or operation.
3. Shell is broken when the display is out of the factory.
4. Wire is broken.
5. Force disaster (such as fire, earthquake, etc.) or natural disasters like lightning, etc. caused by fault or damage.
6. Beyond the warranty period.

8. Error code table

The error code is corresponding with the fault definition:

Error code	Definition
4	Turn the handle upside down
5	Throttle fault
6	Low voltage protection
7	Over voltage protection
8	Hall signal wires fault on the motor
9	Phase wire fault on the motor
16	Controller temperature is too high, and reaches the protection point
17	Temperature sensor inside controller fault
18	Current sensor fault
19	Temperature sensor inside battery fault
20	Temperature sensor inside the motor fault
33	Speed sensor fault
34	BMS communication fault
35	Light fault
36	Light sensor fault
48	Communication display receiving error